

CURVED MODULAR CHAINS



DRIVE
SOLUTIONS

Curved Modular chains



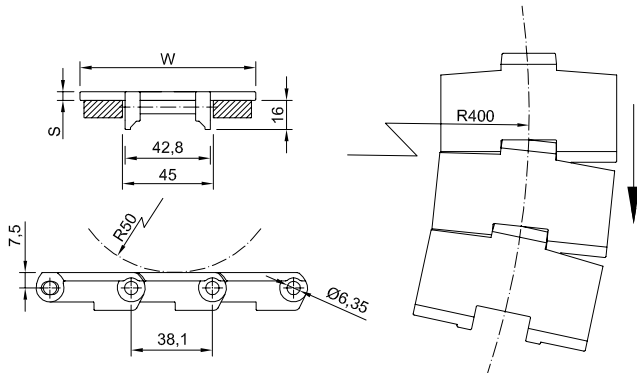
Standard material: POM LF

Delrin Kevlar® material available on request

Pin Material: Stainless Steel AISI 304

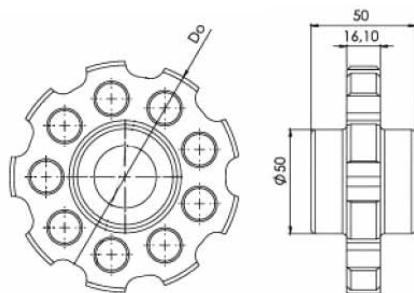
Standard delivery length: 80 steps = 3048 mm

Code	Width		Radius of curvature [mm]	Table thickness [mm]	Admissible load [N]	Weight [kg/m]
	[mm]	[inch]				
NCMD880K325-LF	82,5	3,25	400	4,0	2000	0,9
NCMD880K400-LF	101,6	4,00	400	4,0	2000	1,0
NCMD880K450-LF	114,3	4,50	400	4,0	2000	1,1
NCMD879K600-LF	152,4	6,00	400	4,8	2200	1,3
NCMD879K750-LF	190,5	7,50	400	4,8	2200	1,5



Part number	NCMD	880	K325	-LF
Type				
Pitch				
Width in inches x 100				
Low friction				

Sprockets for NCMD880 and NCMD879 types



Part number	NSMD600	-R	20	K	-Z11
Type					
Bore type: R = round / Q = square					
Bore dimension (mm)					
K = with set-screw					
Teeth nr.					

Teeth nr.	Dp [mm]	Do [mm]	S [mm]	Ø round + set-screw UNI
9	111,4	110	59,3	20-25-30
11	135,2	135	71,2	20-25-30

Standard material: nylon PA6 fiberglass.
 It is possible to supply sprocket with any number of teeth or any material by CNC machining
 Dp = Pitch diameter
 Do = External tooth diameter

NCMD880TAB - NCMD879TAB

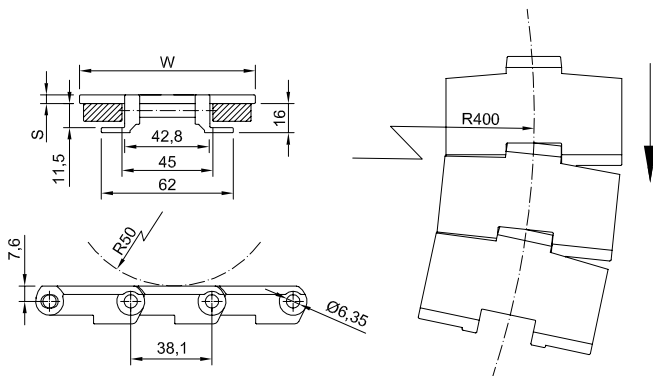
Standard material: POM LF

Delrin Kevlar® material available on request

Pin Material: Stainless Steel AISI 304

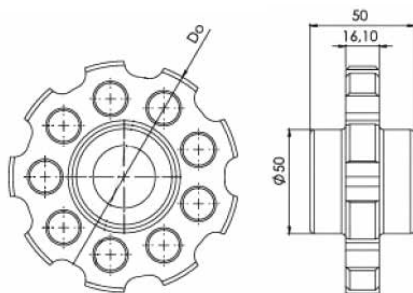
Standard delivery length: 80 steps = 3048 mm

Code	Width		Radius of curvature [mm]	Table thickness [mm]	Admissible load [N]	Weight [kg/m]
	[mm]	[inch]				
NCMD880K325-TAB	82,5	3,25	400	4,0	2000	0,95
NCMD880K400-TAB	101,6	4,00	400	4,0	2000	1,05
NCMD880K450-TAB	114,3	4,50	400	4,0	2000	1,15
NCMD879K600-TAB	152,4	6,00	400	4,8	2200	1,35
NCMD879K750-TAB	190,5	7,50	400	4,8	2200	1,55



Part number	NCMD880	K325	-TAB
Dimension			
Width in inches x 100			
TAB execution			

Sprockets for NCMD880TAB and NCMD879TAB types



Part number	NSMD880	-R	20	K	-Z11
Type					
Bore type: R = round / Q = square					
Bore dimension (mm)					
K = with set-screw					
Teeth nr.					

Teeth nr.	Dp [mm]	Do [mm]	Available standard bore	
			Square [mm]	Ø round + set-screw UNI
9	111,4	110	40x40	20-25-30
11	135,2	135	40x40	20-25-30

Standard material: nylon PA6 fiberglass.
 It is possible to supply sprocket with any number of teeth or any material by CNC machining
 Dp = Pitch diameter
 Do = External tooth diameter

Standard material: POM LF

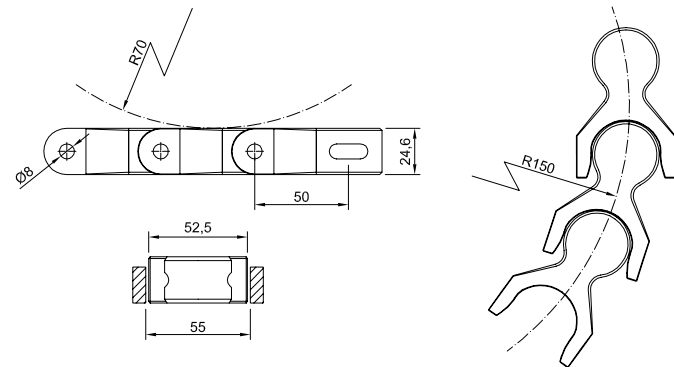
Delrin Kevlar® material available on request

Pin Material: Stainless Steel AISI 304

Standard sprockets: 8, 10 teeth

Width: 55 mm

Code	Pitch [mm]	Width		Radius of curvature [mm]	Admissible load [N]	Weight [kg/m]
		[mm]	[inch]			
NCMD1701-R	50	52,5	2,05	150	2550	1,58

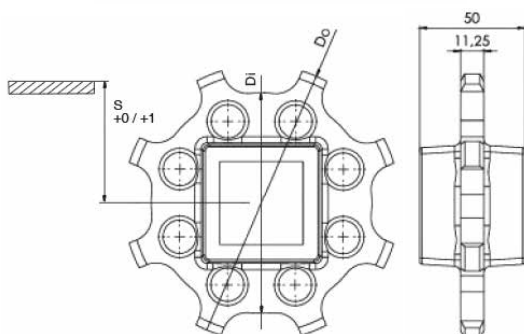


Part number	NCMD	1701-R
Type		
Pitch		

Sprockets for NCMD1701 type



Part number	NSMD1701	-R	20	K	-Z10
Type					
Bore type: R = round / Q = square					
Bore dimension (mm)					
K = with set-screw					
Teeth nr.					



Teeth nr.	Di [mm]	Do [mm]	S [mm]	Available standard bore	
				Square [mm]	Ø round + set-screw UNI
8	106,8	136	53	40x40	25-30
10	136,8	165	69	40x40	25-30

Standard material: nylon PA6 fiberglass.

It is possible to supply sprocket with any number of teeth or any material by CNC machining

Dp = Pitch diameter

Do = External tooth diameter

NCMD1701TAB-R

Standard material: POM LF

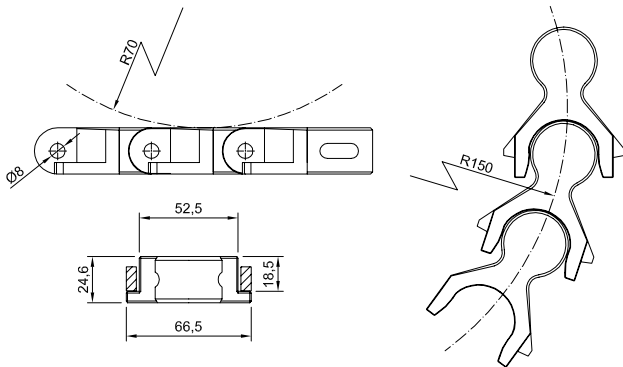
Delrin Kevlar® material available on request

Pin Material: Stainless Steel AISI 304

Standard sprockets: 8, 10 teeth

Width with TAB: 66,5 mm

Code	Pitch [mm]	Width		Radius of curvature [mm]	Admissible load [N]	Weight [kg/m]
		[mm]	[inch]			
NCMD1701TAB-R	50	52,5	2,05	150	2550	1,65

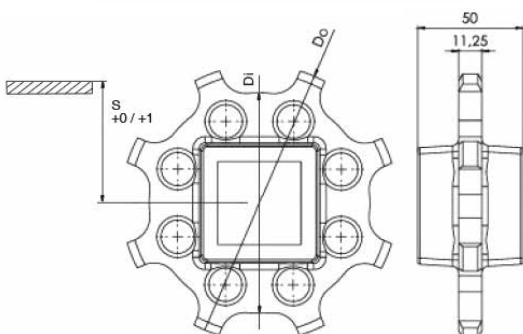


Part number	NCMD	1701-TAB-R
Type		
Dimension - TAB execution		

Sprockets for NCMD1701 type



Part number	NSMD1701	-R	20	K	-Z10
Type					
Bore type: R = round / Q = square					
Bore dimension (mm)					
K = with set-screw					
Teeth nr.					



Teeth nr.	Di [mm]	Do [mm]	S [mm]	Available standard bore	
				Square [mm]	Ø round + set-screw UNI
8	106,8	136	53	40x40	25-30
10	136,8	165	69	40x40	25-30

Standard material: nylon PA6 fiberglass.

It is possible to supply sprocket with any number of teeth or any material by CNC machining

Dp = Pitch diameter

Do = External tooth diameter

Standard material: POM LF

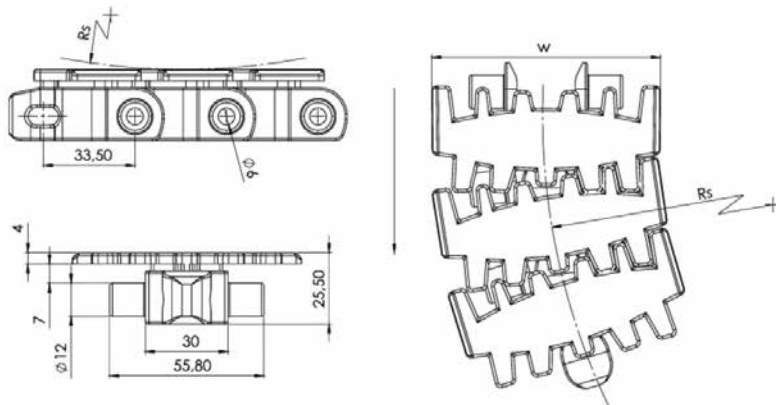
Delrin Kevlar® material available on request

Pitch: 33,5 mm

Pin Material: Stainless Steel AISI 304

Standard sprockets: 12 teeth

Code	Width		Radius of curvature [mm]	Table thickness [mm]	Admissible load [N]	Weight [kg/m]
	[mm]	[inch]				
NCFLEXI-LF	82,5	3,25	140	4	1100	1,25
	114,3	4,50	160	4	1100	1,55



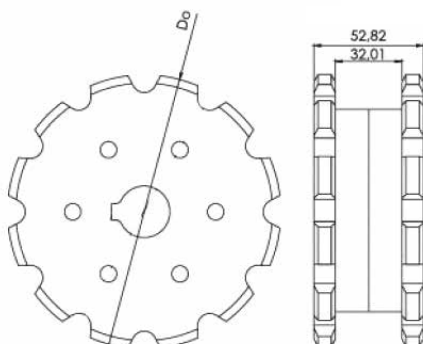
Part number NCFLEXI -K325 -LF

Type _____

Width in inches x 100 _____

Material: POM LF

Sprockets for FLEXI type



Part number NSFLEXI -R 20 K -Z12

Type _____

Bore type: R = round / Q = square _____

Bore dimension (mm) _____

K = with set-screw _____

Teeth nr. _____

Teeth nr.	Dp [mm]	Do [mm]	Available standard bore	
			Square [mm]	Ø round + set-screw UNI
12	131	133	40x40	25-30

Standard material: nylon PA6 fiberglass.

It is possible to supply sprocket with any number of teeth or any material by CNC machining

Dp = Pitch diameter

Do = External tooth diameter