

## SIT Adjustable pulleys “PR DV” and “PBR DV”

Static adjustable pulleys “PR DV” and “PBR DV” are designed to allow adjustment of pitch diameters.

One flange is screwed on the threaded hub. The movable flange is provided with set screws for fixing into the required position. It is recommended to periodically grease the hub threads.

They are suitable for Z-SPZ-3V; A-SPA; B-SPB-5V; C-SPC section V-belts.

For the power rating, please see our V-belt catalogue, taking care about the minimum allowable diameter for the selected belt section and type.

### PR DV pulleys - solid hub

Material: cast iron

Finishing: black manganese phosphating process.

V-groove pulleys suitable for normal application for use with the following belt types:

- 1DV
- 2DV



### PBR DV pulleys - for mounting taper bushing SER-SIT®

Material: cast iron

Finishing: black manganese phosphating process.

V-groove pulleys suitable for normal application for use with the following belt types:

- 1DV
- 2DV

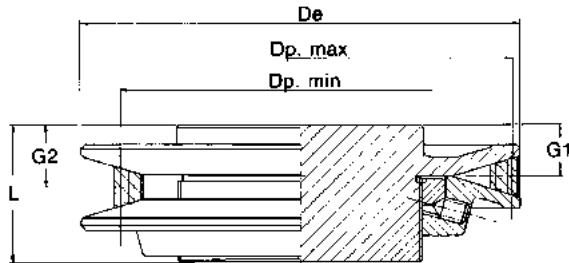


### Note

Due to a constant improvement of our products, technical data of the pulleys may be subject to changes.

## Dimensions of adjustable pulleys PR DV - solid hub

### PR 1DV



Part Number

PR 1DV 121

PR: Adjustable pulleys solid hub

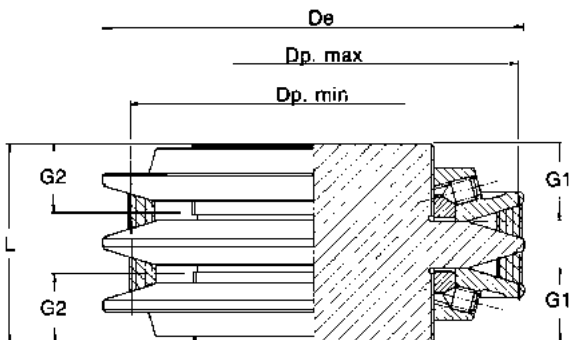
Number of grooves (1 groove)

External diameter [mm]



Code	De [mm]	L [mm]	Belt SPZ					Belt SPA					Belt SPB				
			Dp max [mm]	Dp min [mm]	Variation range	G1 [mm]	G2 [mm]	Dp max [mm]	Dp min [mm]	Variation range	G1 [mm]	G2 [mm]	Dp max [mm]	Dp min [mm]	Variation range	G1 [mm]	G2 [mm]
PR1DV 59	59	36	54	38	1,42	11	13,4	53,4	40	1,34	12,5	14,5	-	-	-	-	-
PR1DV 73	73	40	68	52	1,31	14	16,4	67,4	54	1,25	15,5	17,5	66	60	1,1	16,8	17,7
PR1DV 83	83	46,5	71,5	56	1,27	16,5	18,9	77,4	58	1,33	17	20	76	64	1,19	18,3	20,2
PR1DV 95	95	46,5	83,5	68	1,23	16,5	18,9	89,4	70	1,28	17	20	88	76	1,16	18,3	20,2
PR1DV 105	105	47	90	74,5	1,21	17	19,4	99,4	77	1,29	17	20,5	98	82,5	1,19	18,3	20,7
PR1DV 121	121	48	106	90,5	1,17	17	19,4	115,4	93	1,24	17	20,5	114	98,5	1,16	18,3	20,7
PR1DV 136	136	48	121	105,5	1,15	17	19,4	130,4	108	1,21	17	20,5	129	113,5	1,14	18,3	20,7
PR1DV 152	152	48	137	121,5	1,13	17	19,4	146,4	124	1,18	17	20,5	145	129,5	1,12	18,3	20,7
PR1DV 167	167	48	152	136,5	1,11	17	19,4	161,4	139	1,16	17	20,5	160	144,5	1,11	18,3	20,7
PR1DV 232	232	59,5	206,5	184,5	1,12	25	27,1	220	197	1,12	25	28	221	202,5	1,09	25,0	28,2

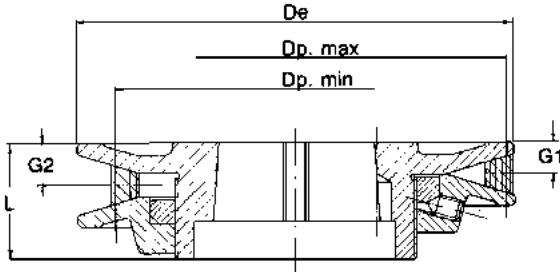
### PR 2DV



Code	De [mm]	L [mm]	Belt SPZ					Belt SPA					Belt SPB				
			Dp max [mm]	Dp min [mm]	Variation range	G1 [mm]	G2 [mm]	Dp max [mm]	Dp min [mm]	Variation range	G1 [mm]	G2 [mm]	Dp max [mm]	Dp min [mm]	Variation range	G1 [mm]	G2 [mm]
PR2DV 105	105	76	90	74,5	1,21	30	27,6	99,4	77	1,29	30	26,5	98	82,5	1,19	30	27,6
PR2DV 121	121	76	106	90,5	1,17	30	27,6	115,4	93	1,24	30	26,5	114	98,5	1,16	30	27,6
PR2DV 136	136	76	121	105,5	1,15	30	27,6	130,4	108	1,21	30	26,5	129	113,5	1,14	30	27,6
PR2DV 152	152	76	137	121,5	1,13	30	27,6	146,4	124	1,18	30	26,5	145	129,5	1,12	30	27,6
PR2DV 167	167	76	152	136,5	1,11	30	27,6	161,4	139	1,16	30	26,5	160	144,5	1,11	30	27,6
PR2DV 232	232	90	206,5	184,5	1,12	34,5	32,4	220	197	1,12	34,5	31,5	221	202,5	1,09	34,5	31,3

# Dimension of pulleys PBR DV - mounting taper bushing SER-SIT®

## PBR 1DV



Part Number

PBR 2DV 121

PBR: Adjustable pulleys hub for taper bush

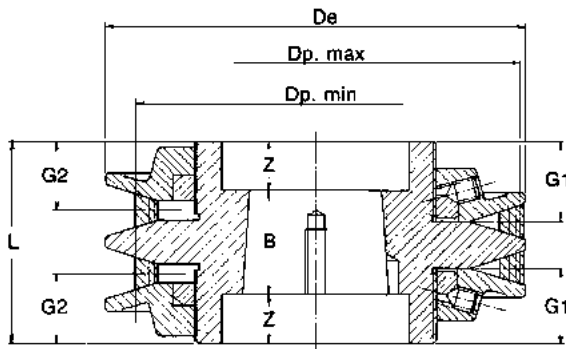
Number of grooves (2 grooves)

External diameter [mm]



Code	De [mm]	L [mm]	SER-SIT® Taper bushing	Belt SPZ					Belt SPA					Belt SPB				
				Dp max [mm]	Dp min [mm]	Variation range	G1 [mm]	G2 [mm]	Dp max [mm]	Dp min [mm]	Variation range	G1 [mm]	G2 [mm]	Dp max [mm]	Dp min [mm]	Variation range	G1 [mm]	G2 [mm]
PBR1DV 95	95	39,5	1008 (25.20)	83,5	68	1,23	9,5	11,9	89,4	70	1,28	10	13	88	76	1,16	11,3	13,2
PBR1DV 105	105	40	1108 (28.20)	90	74,5	1,21	10	12,4	99,4	77	1,29	10	13,5	98	82,5	1,19	11,3	13,7
PBR1DV 121	121	41	1108 (28.20)	106	90,5	1,17	10	12,4	115,4	93	1,24	10	13,5	114	98,5	1,16	11,3	13,7
PBR1DV 136	136	41	1210 (30.25)	121	105,5	1,15	10	12,4	130,4	108	1,21	10	13,5	129	113,5	1,14	11,3	13,7
PBR1DV 152	152	41	1610 (40.25)	137	121,5	1,13	10	12,4	146,4	124	1,18	10	13,5	145	129,5	1,12	11,3	13,7
PBR1DV 167	167	41	1610 (40.25)	152	136,5	1,11	10	12,4	161,4	139	1,16	10	13,5	160	144,5	1,11	11,3	13,7
PBR1DV 232	232	47,5	2012 (50.30)	206,5	184,5	1,12	13	15,1	220	197	1,12	13	16	221	202,5	1,09	13	16,2

## PBR 2DV



Code	De [mm]	L [mm]	Z	B [mm]	SER-SIT® Taper bushing	Belt SPZ					Belt SPA					Belt SPB				
						Dp max [mm]	Dp min [mm]	Variation range	G1 [mm]	G2 [mm]	Dp max [mm]	Dp min [mm]	Variation range	G1 [mm]	G2 [mm]	Dp max [mm]	Dp min [mm]	Variation range	G1 [mm]	G2 [mm]
PBR2DV 105	105	76	27	22	1108 (28.20)	90	74,5	1,21	30	27,6	99,4	77	1,29	30	26,5	98	82,5	1,19	30	27,6
PBR2DV 121	121	76	17	42	1215 (30.40)	106	90,5	1,17	30	27,6	115,4	93	1,24	30	26,5	114	98,5	1,16	30	27,6
PBR2DV 136	136	76	17	42	1215 (30.40)	121	105,5	1,15	30	27,6	130,4	108	1,21	30	26,5	129	113,5	1,14	30	27,6
PBR2DV 152	152	76	17	42	1615 (40.40)	137	121,5	1,13	30	27,6	146,4	124	1,18	30	26,5	145	129,5	1,12	30	27,6
PBR2DV 167	167	76	17	42	1615 (40.40)	152	136,5	1,11	30	27,6	161,4	139	1,16	30	26,5	160	144,5	1,11	30	27,6
PBR2DV 232	232	90	21,5	47	2517 (65.45)	206,5	184,5	1,12	34,5	32,4	220	197	1,12	34,5	31,5	221	202,5	1,09	34,5	31,3