



Thermoplastic Belts

ELAClean®

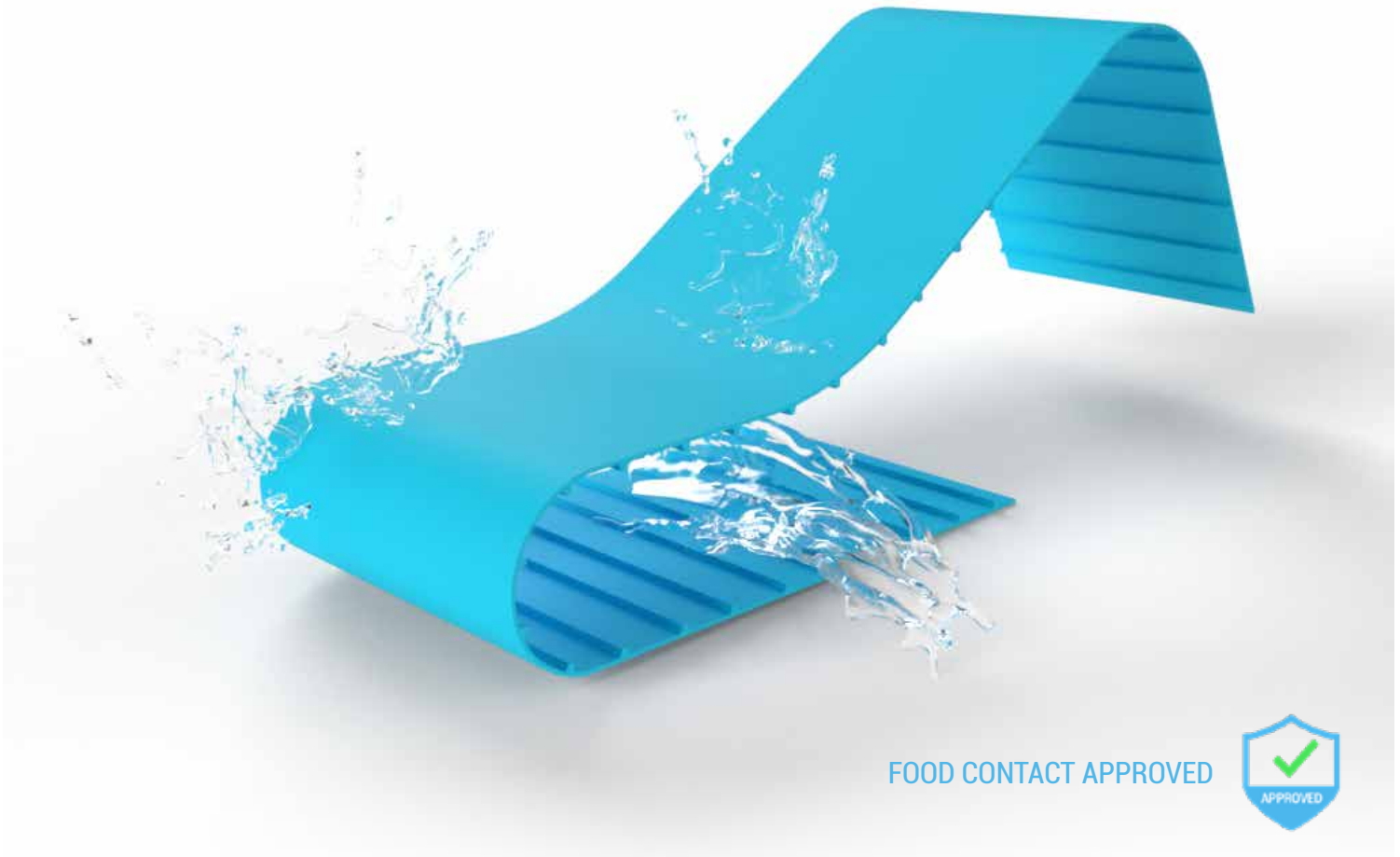


Elatech[®]
Technology in Motion.

For applications with direct food contact,
where the highest standards in food compliance are required.

ELAClean® is a new range of thermoplastic Polyurethane belts made by ELATECH, designed mainly for FOOD industry where the highest hygiene standards are required. This new product line, consisting of several versions and designs, is able to support different types of applications, ensuring the necessary quality standards.

ELAClean® technology combines flat, and positive driven feature, without cords. ELAClean® easy-to-clean surface reduces the risk of microbial contamination.



FOOD CONTACT APPROVED



Application fields: _____



DAIRY



MEAT



POULTRY



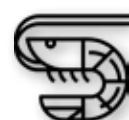
SNACK



FRUIT



VEGETABLE

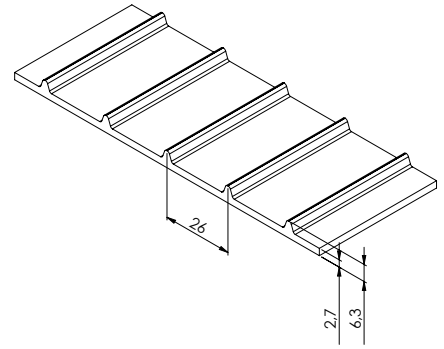
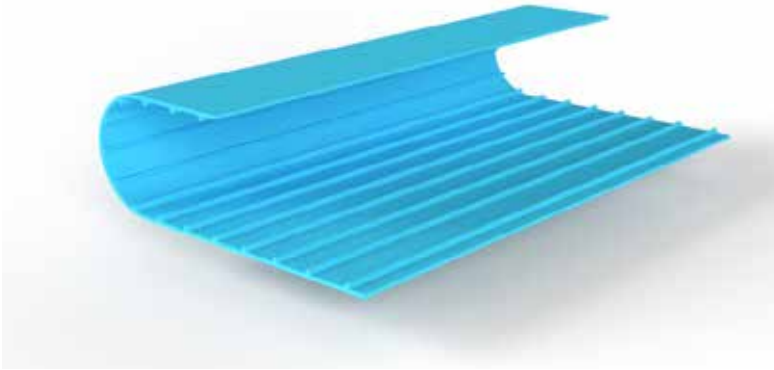


SEAFOOD

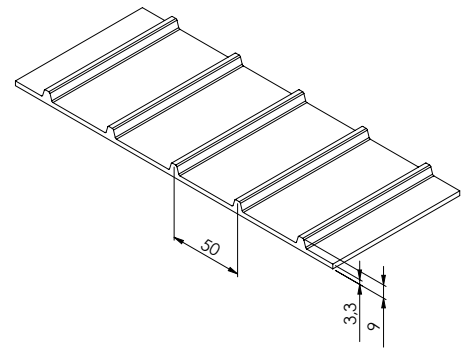
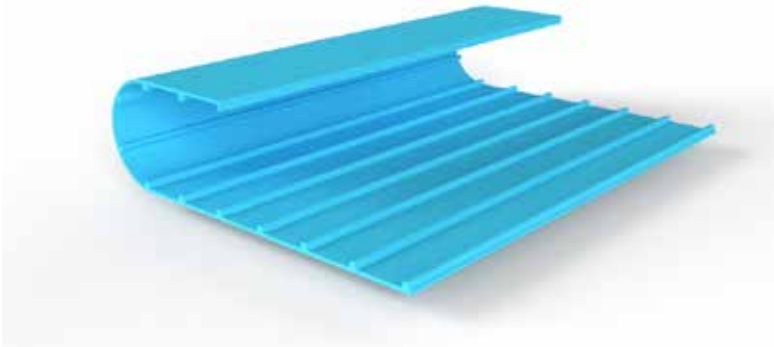


FISH

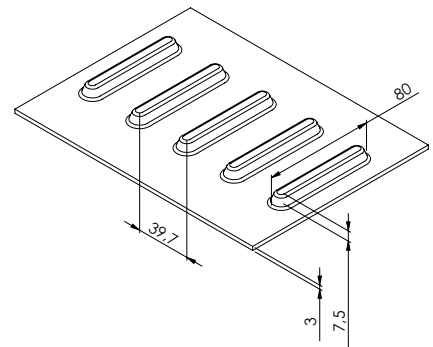
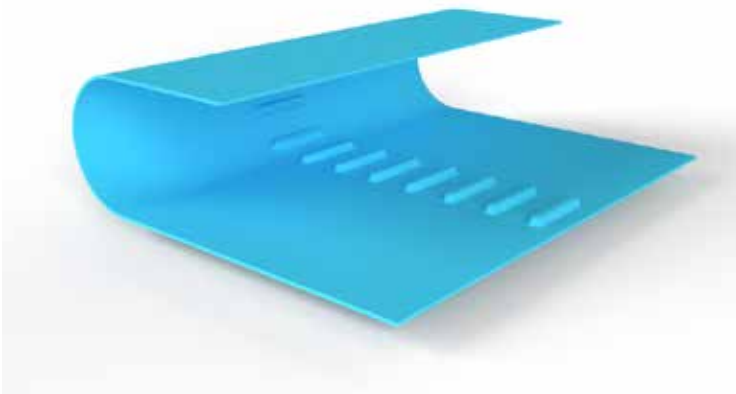
ECW - P1 without cords



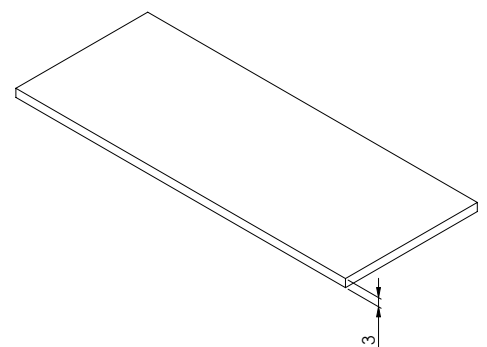
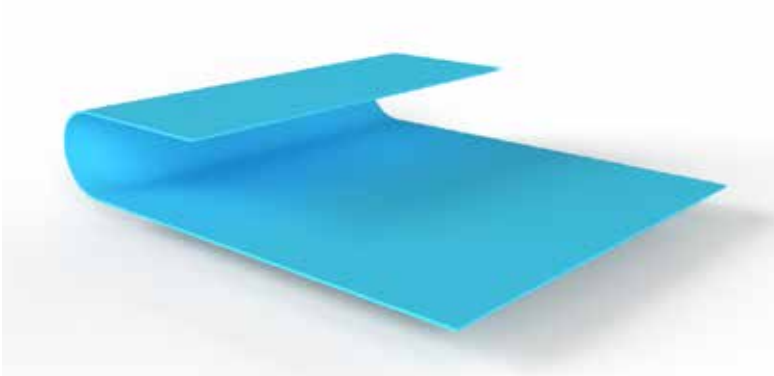
ECW - P2 without cords



ECW - C4 without cords



ECW - F3 without cords



General characteristics - TPU 95 Sh.A

Belt TYPE [Code]	A - PITCH	C - OVERALL BELT THICKNESS	STANDARD WIDTH	CORD TYPE	WORKING TEMPERATURE	STANDARD COLOUR	STANDARD ROLL LENGTH
ECW - P1N	26 mm	6,30 mm	1800 mm	NO CORDS	-30 °C up to +80°C	Sky Blue	60 m
ECW - P2N	50 mm	9,00 mm	1800 mm				60 m
ECW - C4N	39,7 mm	10,50 mm	1524 mm				60 m
ECW - F3N	-	3,00 mm	1800 mm				100 m

Surface finishing

- Glossy surface
- Matte surface
- No-Cling surface



No-Cling surface

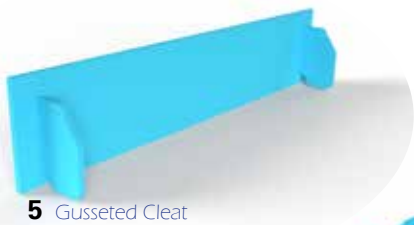
Main Features

- Possibility of easy and effective clean-in-place process (CIP)
- Urethane material compatible with wash down environments
- No fragmenting or chipping, compared with modular belts
- Environmental sustainability thanks to the reduction of cleaning labour, energy and water usage
- Reduced maintenance and sanitation costs and reduced downtime
- Sprockets compatibility: drop-in replacement for most thermoplastic belts in the market
- Ideal for replacement of plastic modular belts
- Longer belt life due to minimal belt stretch



Custom belt design

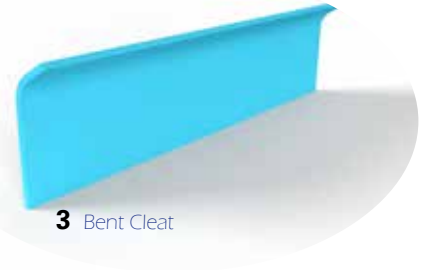
Customize the belt with the most suitable configuration according to your application needs.



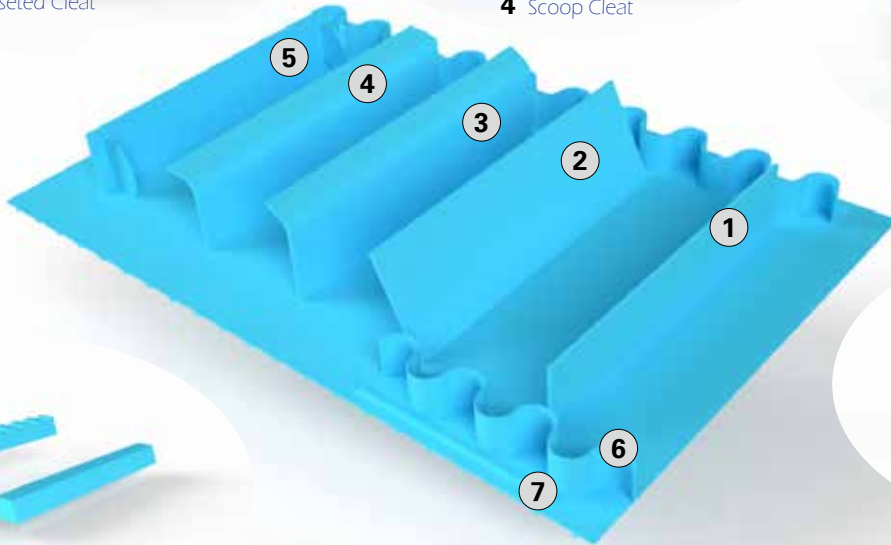
5 Gusseted Cleat



4 Scoop Cleat



3 Bent Cleat



7 K Guide



2 Inclined Cleat



6 Corrugate side-wall



1 Straight Cleat

Accessories Sprockets & Wheels



Sprockets ECS-M1



Sprockets ECS-M2



Sprocket ECS-M4



Idler ECS-M4



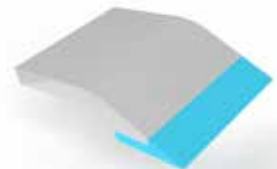
Idler with flange



Idler without flange



Retainer



Belt scraper

elatech.com

Elatech S.r.l.

Via Fonte Solforosa, 1 24012 – Val Brembilla (BG) Italy
info@elatech.com +39 0345 33 03 11